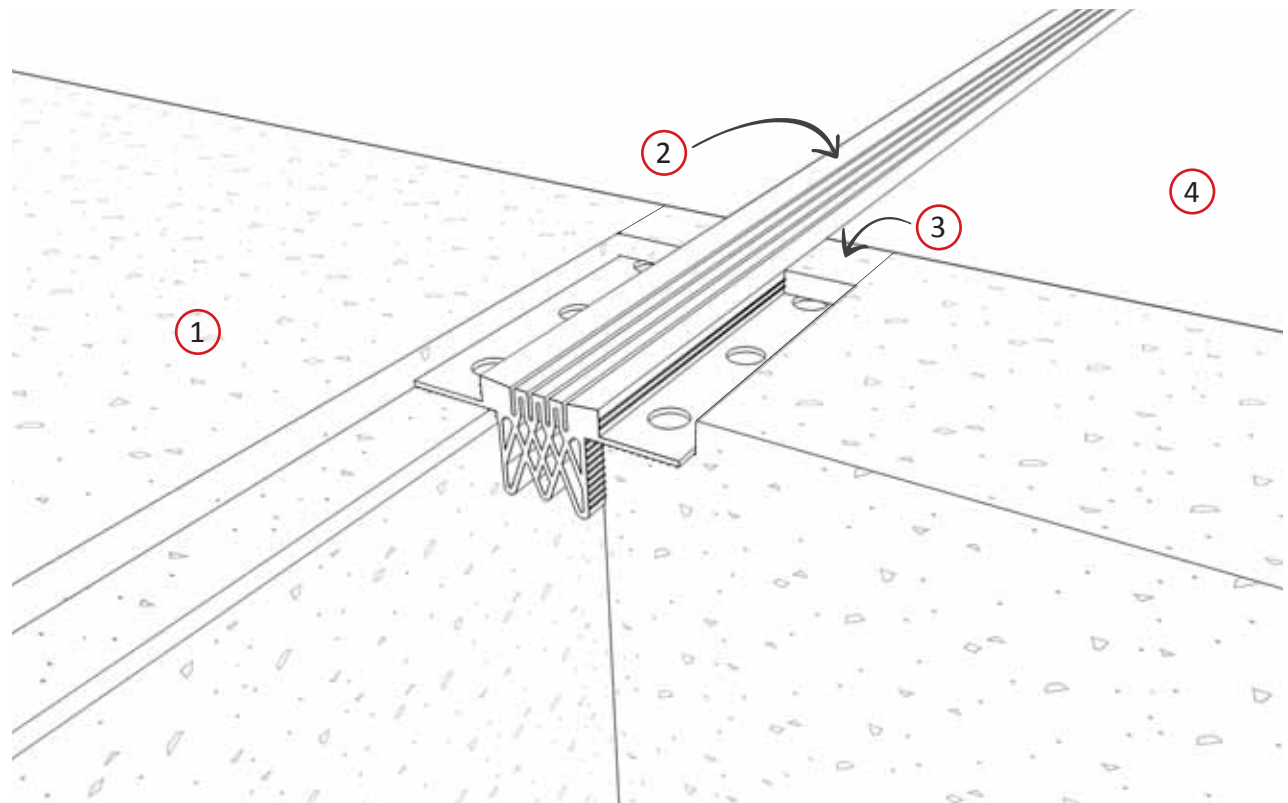


FlexAtec

seal expansion joints for podiums, parking decks, elevated roadways and other structures subject to vehicle loads

Typical Components

- (1) Concrete slab with rebate (by others)
- (2) Continuous seal
- (3) High-strength backfill
- (4) Finishes

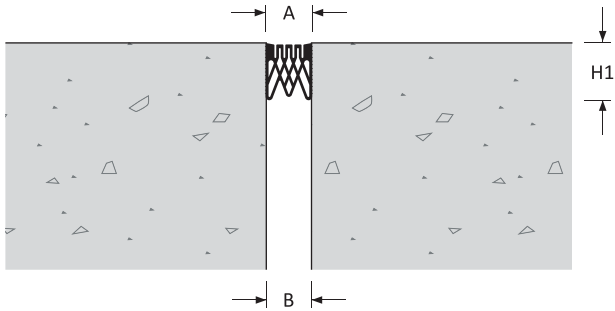


SEAL EXPANSION JOINT

Floor to Floor to Wall | Wall to Wall

25 - 75 mm (1 - 3") Expansion Gaps

FlexAtec 1200 : A01



Expansion Joint Selection Criteria

Load Rating

Product Details

Joint Location	Gap Width B(mm)	Movement Capacity (mm)		Eurocode Rating				Product Dimensions				Product Number
		±	[Total]					Height		Sightline	Blockout	
								H1 (mm)	H2 (mm)	A (mm)	C (mm)	
Floor - Floor	25	± 7	[15]	-				55		25		1200-A01-025
Floor - Wall	50	± 15	[30]	-	31 kN	30 kN	-	64	-	50	-	1200-A01-050
Wall - Wall	75	± 25	[50]							75		

Features

Surface

Ribbed surface for improved slip resistance
Americans with Disabilities Act (ADA) compliant
across the entire movement cycle

Movement

Good movement capacity
ASTM E-1399 Class I: Thermal
Class II: Wind

Traffic Frequency per day

				
> 25,000	-	≤ 10	> 25,000	-

System Options

Gap width(s)	25, 50, 75 mm
Height(s)	55, 64 mm
Metal type(s):	None
Colour(s)	Black coloured seal
Fire barrier	120-240 minutes
Pre-assembly in factory	Contact Vexcolt



FlexAtec 1200 : A01



APPLICATIONS

Airport Terminals | Educational | Exhibition Centres
Department Stores | Distribution & Retail Warehouses
Factories | Hospitals | Museums | Offices & Hotels
Parking | Places of Worship | Residential Buildings
Rail, Metros & Elevated Rail Stations | Roads & Bridges
Shopping Centres | Sports Stadiums | Supermarkets