

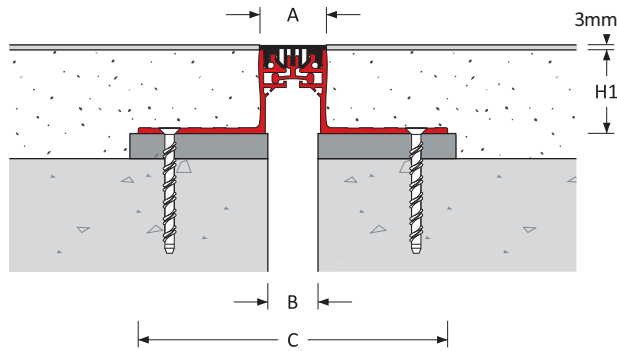
SINGLE-SEAL EXPANSION JOINT

Floor to Floor | Floor to Wall

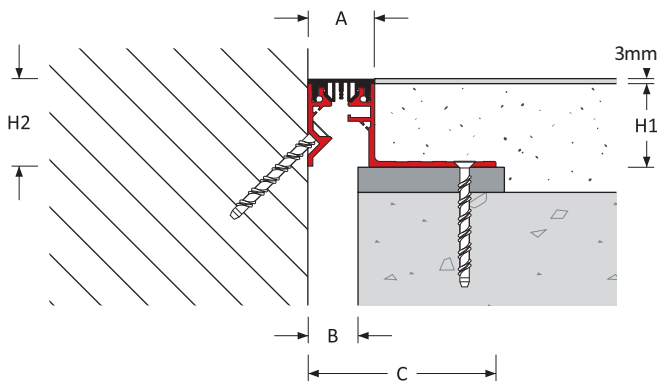
30 - 75 mm (1 1/4 - 3") Expansion Gaps

MaxAtec 100 : V01-V02

MaxAtec 100 : V01



MaxAtec 100 : V02



Expansion Joint Selection Criteria

Load Rating

Product Details

Joint Location	Gap Width B(mm)	Movement Capacity (mm)		Eurocode Rating				Product Dimensions				Product Number
		±	[Total]					Height		Sightline	Blockout	
								H1 (mm)	H2 (mm)	A (mm)	C (mm)	
Floor - Floor	30	± 5	[10]	5 kN	46 kN	-	-	25: 35: 50: 70	-	40	185	100-V01-030-(H1)
	50	± 10	[20]	2 kN	31 kN	-	-			71	216	100-V01-050-(H1)
	75	± 15	[30]							93	238	100-V01-075-(H1)
Floor - Wall	30	± 5	[10]	5 kN	46 kN	-	-	25: 35: 50: 70	53	40	113	100-V02-030-(H1)
	50	± 10	[20]	2 kN	31 kN				71	144	100-V02-050-(H1)	
	75	± 15	[30]						78	93	166	100-V02-075-(H1)

When specifying or ordering please add the **height (H1)** required to the Product Reference. For example MaxAtec 100 : V01-030-035 denotes a joint 35mm high.

To accommodate vinyl finishes the thermoplastic rubber insert extends 3mm above the level of the joint frame increasing the overall joint depth to 38mm.

Complementary Systems

Internal Wall - 100 : A07-A09 - Pg 68 - 69

Features

Surface

Smooth surface

Centre supported and Americans with Disabilities Act (ADA) compliant across the entire movement cycle

Movement

Good movement capacity

ASTM E-1399 Class I: Thermal

Class II: Wind

Traffic Frequency per day

				
≤ 25,000	≤ 10	≤ 10	-	-

System Options

Gap width(s)	30, 50, 75 mm
Height(s)	25, 35, 50, 70 mm
Metal type(s)	Aluminium
Seal colour(s)	Black, Grey, Stone
Fire barrier	120-240 minutes
Waterproofing	Moisture barrier
Pre-assembly in factory	Contact Vexcolt



MaxAtec 100 : V01-V02



APPLICATIONS

Airport Terminals | Educational | Exhibition Centres
Department Stores | Distribution & Retail Warehouses
Factories | Hospitals | Museums | Offices & Hotels
Parking | Places of Worship | Residential Buildings
Rail, Metros & Elevated Rail Stations | Roads & Bridges
Shopping Centres | Sports Stadiums | Supermarkets