

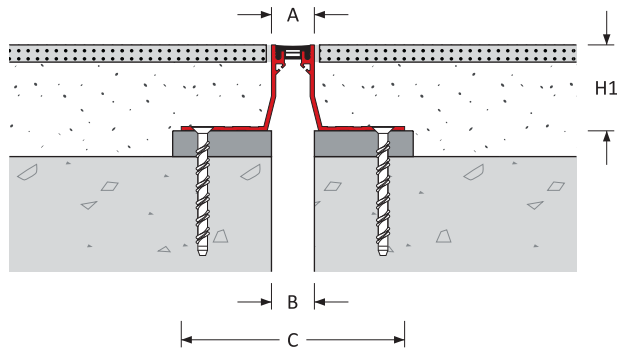
## SINGLE-SEAL EXPANSION JOINT

Floor to Floor | Floor to Wall

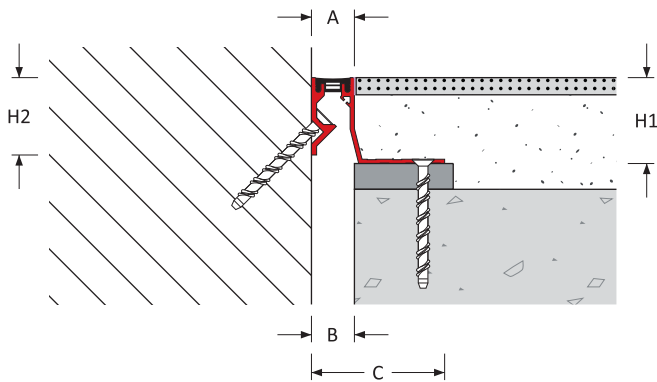
25 - 50 mm (1 - 2") Expansion Gaps

# MaxAtec 130 : A01-A02

### MaxAtec 130 : A01



### MaxAtec 130 : A02



### Expansion Joint Selection Criteria

### Load Rating

### Product Details

Joint Location	Gap Width B(mm)	Movement Capacity (mm)		Eurocode Rating				Product Dimensions				Product Number
		±	[Total]					Height		Sightline	Blockout	
								H1 (mm)	H2 (mm)	A (mm)	C (mm)	
Floor - Floor	25	± 5	[10]	2 kN	31 kN	-	-	25: 50: 75	-	25	130	130-A01-025-(H1)
	50	± 10	[20]							48	155	130-A01-050-(H1)
Floor - Wall	25	± 5	[10]	2 kN	31 kN	-	-	25: 50: 75	45	25	78	130-A02-025-(H1)
	50	± 10	[20]							48	102	130-A02-050-(H1)

When specifying or ordering please add the **height (H1)** required to the Product Reference.  
For example MaxAtec 130 : A01-025-025 denotes a joint 25mm high.

### Complementary Systems

Internal Wall - 130 : A07-A09 - Pg 72 - 73

**Features**

**Surface**

Smooth surface

Americans with Disabilities Act (ADA) compliant across the entire movement cycle

**Movement**

Good movement capacity

ASTM E-1399 Class I: Thermal

Class II: Wind

**Traffic Frequency per day**

				
≤ 25,000	≤ 10	≤ 10	-	-

**System Options**

Gap width(s)	25, 50 mm
Height(s)	25, 50, 75 mm
Metal type(s)	Aluminium
Seal colour(s)	Black, Grey, Stone
Fire barrier	120-240 minutes
Waterproofing	Moisture barrier
Pre-assembly in factory	Contact Vexcolt



**MaxAtec 130 : A01-A02**



**APPLICATIONS**

Airport Terminals | Educational | Exhibition Centres  
Department Stores | Distribution & Retail Warehouses  
Factories | Hospitals | Museums | Offices & Hotels  
Parking | Places of Worship | Residential Buildings  
Rail, Metros & Elevated Rail Stations | Roads & Bridges  
Shopping Centres | Sports Stadiums | Supermarkets