

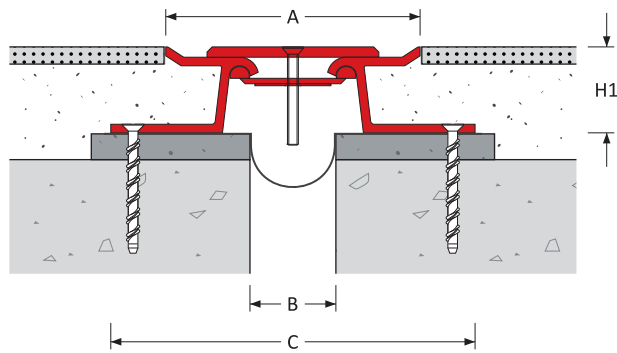
METAL EXPANSION JOINT

Floor to Floor | Floor to Wall

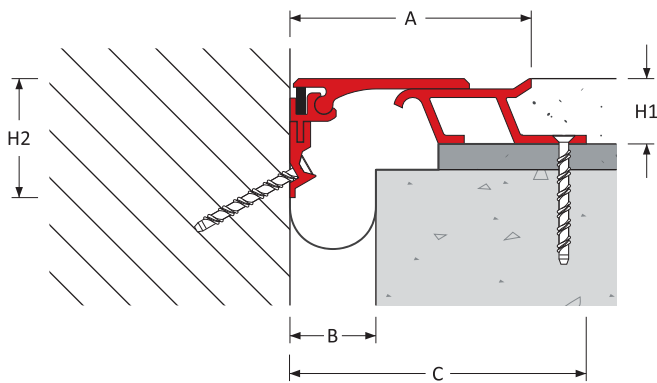
25 - 300 mm (1 - 12") Expansion Gaps

MegAtec 340 : A01-A02

MegAtec 340 : A01



MegAtec 340 : A02



Expansion Joint Selection Criteria

Load Rating

Product Details

Joint Location	Gap Width B(mm)	Movement Capacity (mm)		Eurocode Rating				Product Dimensions		Sightline A (mm)	Blockout C (mm)	Product Number
		±	[Total]					Height H1 (mm)	Height H2 (mm)			
Floor - Floor	25	± 12	[25]	10 kN	150 kN	30 kN	-	25: 38: 50	-	126	190	340-A01-025-(H1)
	50	± 25	[50]	5 kN	46 kN					139	203	340-A01-050-(H1)
	75	± 37	[75]	2 kN	31 kN					187	242	340-A01-075-(H1)
	100	± 50	[100]	-	-	-				216	280	340-A01-100-(H1)
	150	± 75	[150]							308	372	340-A01-150-(H1)
	200	± 100	[200]							408	472	340-A01-200-(H1)
	250	± 125	[250]							522	586	340-A01-250-(H1)
	300	± 150	[300]	622	686	340-A01-300-(H1)						
Floor - Wall	25	± 12	[25]	10 kN	150 kN	30 kN	-	25: 38: 50	70	118	150	340-A02-025-(H1)
	50	± 25	[50]	5 kN	46 kN					141	173	340-A02-050-(H1)
	75	± 37	[75]	2 kN	31 kN					188	220	340-A02-075-(H1)
	100	± 50	[100]	-	-	-				226	258	340-A02-100-(H1)
	150	± 75	[150]							298	330	340-A02-150-(H1)
	200	± 100	[200]							373	405	340-A02-200-(H1)
	250	± 125	[250]							448	480	340-A02-250-(H1)
	300	± 150	[300]	523	555	340-A02-300-(H1)						

When specifying or ordering please add the **height (H1)** required to the Product Reference.
For example MegAtec 340 : A01-075-050 denotes a joint 50mm high.

Features

Surface

Hairline serrated surface for improved slip resistance
Americans with Disabilities Act (ADA) compliant
across the entire movement cycle

Movement

Seismic movement capacity
ASTM E-1399 Class I: Thermal
Class II: Wind
Class III: Seismic

Traffic Frequency per day

				
> 25,000	≤ 1,000	≤ 100	≤ 100	-

System Options

Gap width(s)	25, 50, 75, 100, 150, 200, 250, 300 mm
Height(s)	25, 38, 50 mm
Metal type(s)	Aluminium
Seal colour(s)	No seal used
Fire barrier	120-240 minutes
Waterproofing	Moisture barrier
Pre-assembly in factory	Contact Vexcolt

MegAtec 340 : A01-A02



APPLICATIONS

Airport Terminals | Educational | Exhibition Centres
Department Stores | Distribution & Retail Warehouses
Factories | Hospitals | Museums | Offices & Hotels
Parking | Places of Worship | Residential Buildings
Rail, Metros & Elevated Rail Stations | Roads & Bridges
Shopping Centres | Sports Stadiums | Supermarkets