

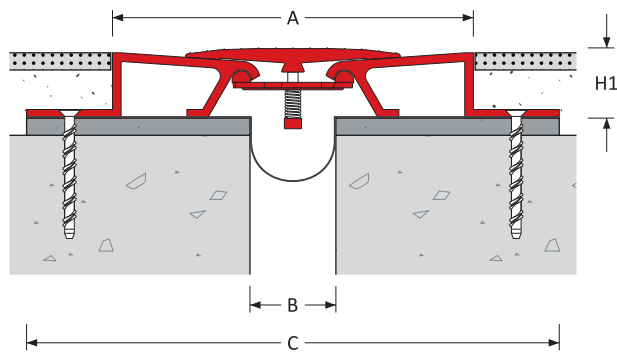
METAL EXPANSION JOINT

Floor to Floor | Floor to Wall

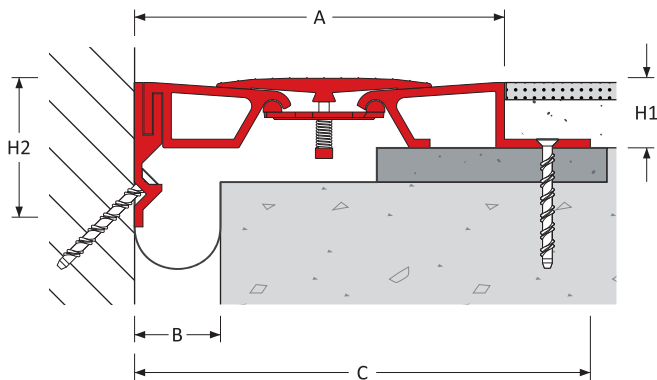
50 - 150 mm (2 - 6") Expansion Gaps

MegAtec 350 : A01-A02

MegAtec 350 : A01



MegAtec 350 : A02



Expansion Joint Selection Criteria

Load Rating

Product Details

Joint Location	Gap Width B(mm)	Movement Capacity (mm)		Eurocode Rating				Product Dimensions				Product Number
		±	[Total]					Height		Sightline	Blockout	
								H1 (mm)	H2 (mm)	A (mm)	C (mm)	
Floor - Floor	50	± 25	[50]	20 kN	100 kN	30 kN	630 kN	38	-	210	310	350-A01-050
	75	± 37	[75]							225	325	350-A01-075
	100	± 50	[100]	10 kN	69 kN	300 kN	277			378	350-A01-100	
	150	± 75	[150]				392			492	350-A01-150	
Floor - Wall	50	± 25	[50]	20 kN	100 kN	30 kN	630 kN	38	84	216	266	350-A02-050
	75	± 37	[75]							231	281	350-A02-075
	100	± 50	[100]	10 kN	69 kN	300 kN	296			346	350-A02-100	
	150	± 75	[150]				386			436	350-A02-150	

Features

Surface

Smooth transit

Hairline serrated surface for improved slip resistance

Americans with Disabilities Act (ADA) compliant across the entire movement cycle

Movement

Seismic movement capacity

ASTM E-1399 Class I: Thermal

Class II: Wind

Class III: Seismic

Traffic Frequency per day

				
> 25,000	≤ 1,000	≤ 1,000	≤ 1,000	≤ 100

System Options

Gap width(s)	50, 75, 100, 150 mm
Height(s)	38 mm
Metal type(s)	Aluminium
Seal colour(s)	No seal used
Fire barrier	120-240 minutes
Waterproofing	Moisture barrier
Pre-assembly in factory	Contact Vexcolt



MegAtec 350 : A01-A02



APPLICATIONS

Airport Terminals | Educational | Exhibition Centres
Department Stores | Distribution & Retail Warehouses
Factories | Hospitals | Museums | Offices & Hotels
Parking | Places of Worship | Residential Buildings
Rail, Metros & Elevated Rail Stations | Roads & Bridges
Shopping Centres | Sports Stadiums | Supermarkets