

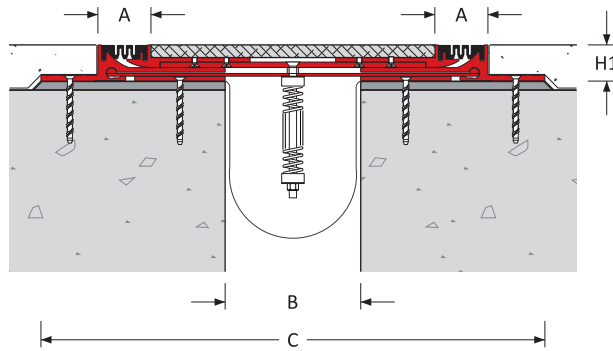
MECHANICAL EXPANSION JOINT

Floor to Floor

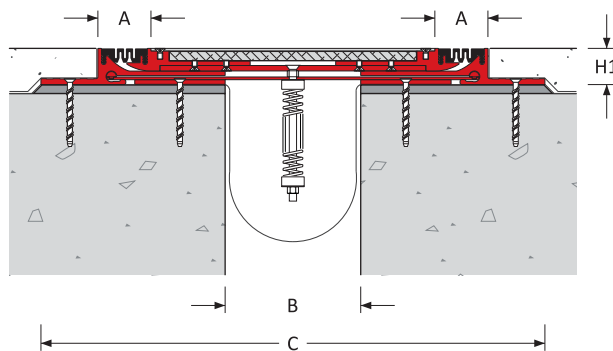
150 - 500 mm (6 - 20") Expansion Gaps

TransAtec 1140 : A01/C01

TransAtec 1140 : A01



TransAtec 1140 : C01



Expansion Joint Selection Criteria

Load Rating

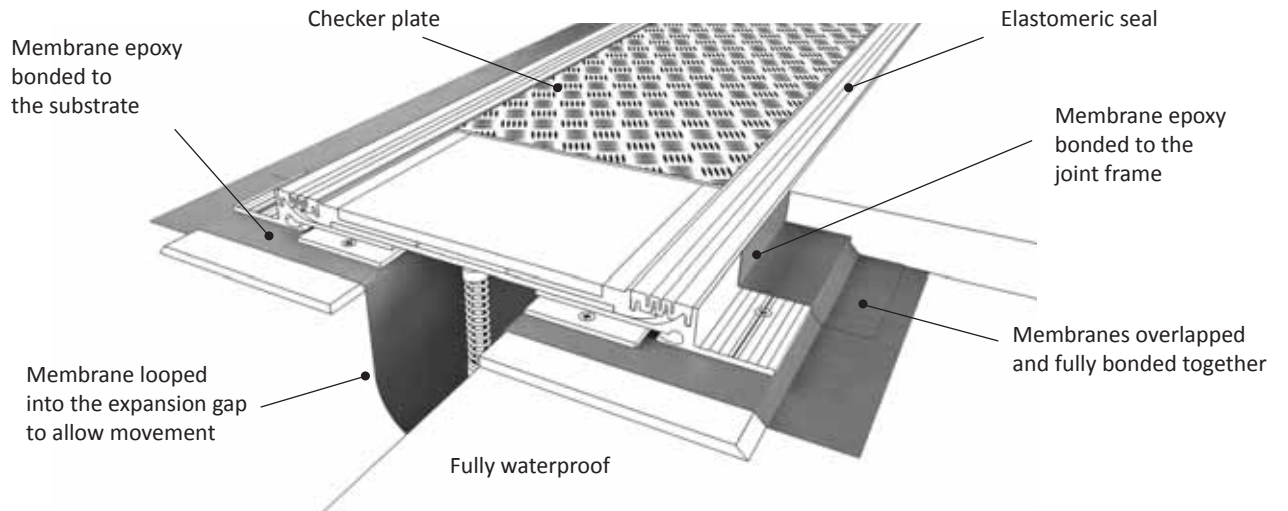
Product Details

Joint Location	Gap Width B(mm)	Movement Capacity (mm)		Eurocode Rating				Product Dimensions			Product Number			
		Thermal ±	[Total]	Seismic ±	[Total]					Height H1(mm)		Sightline H2(mm)	Blockout A (mm)	Blockout C (mm)
Floor - Floor	150	± 25.0	[50]	±75.0	[150]	5 kN	100 kN	160 kN	630 kN	40	-	59	558	1140-A01/C01-150
	200			±100	[200]								608	1140-A01/C01-200
	250			±125	[250]	2 kN	46 kN	30 kN	300 kN				731	1140-A01/C01-250
	300			±150	[300]								781	1140-A01/C01-300
	400			±200	[400]	31 kN	120 kN	981	1140-A01/C01-400					
	500			±250	[500]			1081	1140-A01/C01-500					

Standard thermal movement before the central pan lifts = +/-50mm.

1140-A01 denotes products with a central pan which is in-filled with a high strength epoxy mortar bed (by others).

1140-C01 denotes products with a central pan which is in-filled with high strength epoxy mortar bed (by others) on top of which are attached 3mm thick aluminium, galvanised steel or stainless steel checker plates (supplied). These plates improve the anti-slip characteristics of the 1140 joints in wet conditions.



Features

Surface

Smooth transit across a central pan filled with high strength (>60N) cube strength epoxy mortar.

Alternatively, the system can be supplied with an aluminium, galvanised steel or stainless steel checker plate to improve slip resistance.

Corrugated seals for greater thermal movement

Movement

Seismic movement capacity

ASTM E-1399 Class I: Thermal
Class II: Wind
Class III: Seismic

Thermal & wind movement: +/-25mm, Total 50mm

Seismic movement: +/- 50% of expansion gap width

Traffic Frequency per day

				
> 25,000	≤ 1,000	≤ 1,000	> 25,000	≤ 100

System Options

Gap width(s)	150, 200, 250, 300, 400, 500 mm
Height(s)	40 mm
Metal type(s):	Aluminium
Colour(s)	Mill Finish Aluminium
Fire barrier	120-240 minutes
Waterproofing	Waterproofing membrane
Pre-assembly in factory	Contact Vexcolt



TransAtec 1140 : A01/C01

APPLICATIONS

Airport Terminals | Educational | Exhibition Centres
Department Stores | Distribution & Retail Warehouses
Factories | Hospitals | Museums | Offices & Hotels
Parking | Places of Worship | Residential Buildings
Rail, Metros & Elevated Rail Stations | Roads & Bridges
Shopping Centres | Sports Stadiums | Supermarkets