

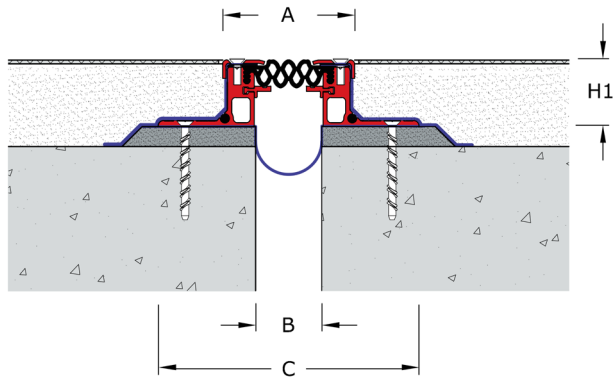
MECHANICAL EXPANSION JOINT

Floor to Floor | Floor to Wall

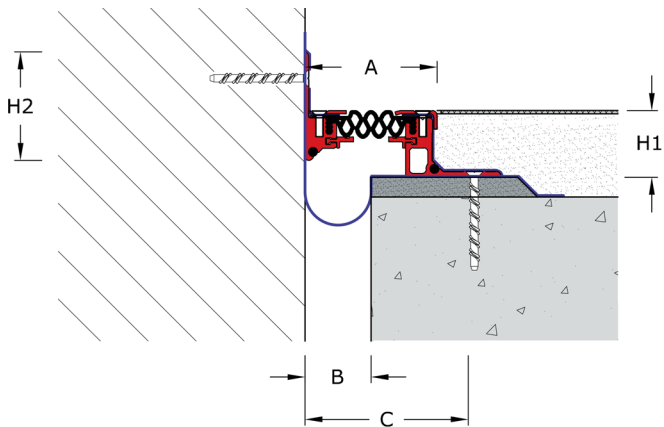
25 -100 mm (1 - 4") Expansion Gaps

TransAtec 1105 : S01-S02

TransAtec 1105 : S01



TransAtec 1105 : S02

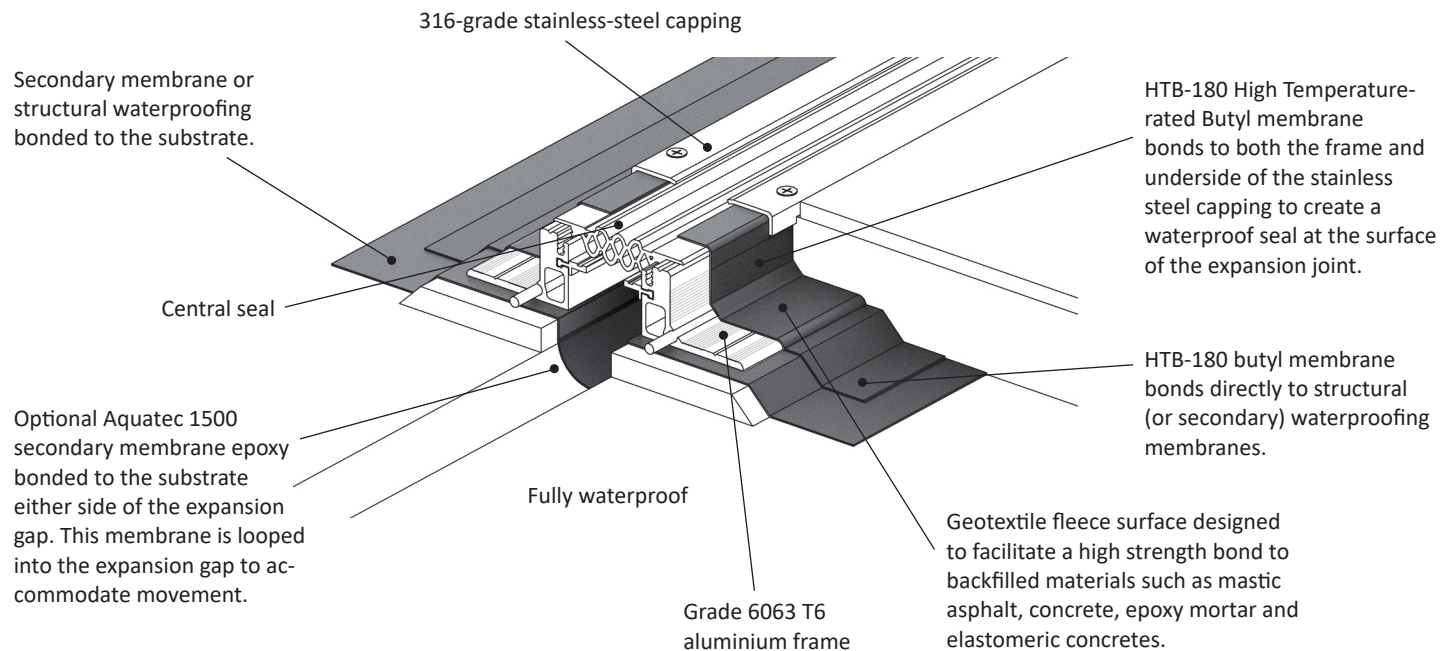


Expansion Joint Selection Criteria

Load Rating

Product Details

Joint Location	Gap Width B (mm)	Movement Capacity (mm)		Eurocode Rating				Product Dimensions Height		Sightline A (mm)	Blockout C (mm)	Product Number
		±	[Total]					H1 (mm)	H2 (mm)			
Floor - Floor	25	± 10	[20]	5 kN	31 kN	30 kN	630 kN	28: 35: 50: 75	-	75	173	1105-S01-025-(H1)
	50	± 20	[40]							100	198	1105-S01-050-(H1)
	75	± 30	[60]							125	223	1105-S01-075-(H1)
	100	± 40	[80]							150	248	1105-S01-100-(H1)
Floor - Wall	25	± 10	[20]	5 kN	31 kN	30 kN	630 kN	28: 35: 50: 75	82	75	124	1105-S02-025-(H1)
	50	± 20	[40]							100	149	1105-S02-050-(H1)
	75	± 30	[60]							125	174	1105-S02-075-(H1)
	100	± 40	[80]							150	199	1105-S02-100-(H1)



Features

Surface

Americans with Disabilities Act (ADA) compliant across the entire movement cycle

Central seal has a ribbed surface for improved slip resistance.

Movement

Good movement capacity

ASTM E-1399 Class I: Thermal

Class II: Wind

Traffic Frequency per day

				
> 25,000	≤ 100	≤ 100	> 25,000	≤ 10

System Options

Gap width(s)	25, 50, 75, 100 mm
Height(s)	28, 35, 50, 75 mm
Metal type(s):	Aluminium
	316 - Grade stainless steel cappings
Seal colour(s)	Black, Grey
Fire barrier	120-240 minutes
Waterproofing	Waterproofing membrane
Pre-assembly in factory	Contact Vexcolt

TransAtec 1105 : S01-S02



APPLICATIONS

Airport Terminals | Educational | Exhibition Centres
 Department Stores | Distribution & Retail Warehouses
 Factories | Hospitals | Museums | Offices & Hotels
 Parking | Places of Worship | Residential Buildings
 Rail, Metros & Elevated Rail Stations | Roads & Bridges
 Shopping Centres | Sports Stadiums | Supermarkets