

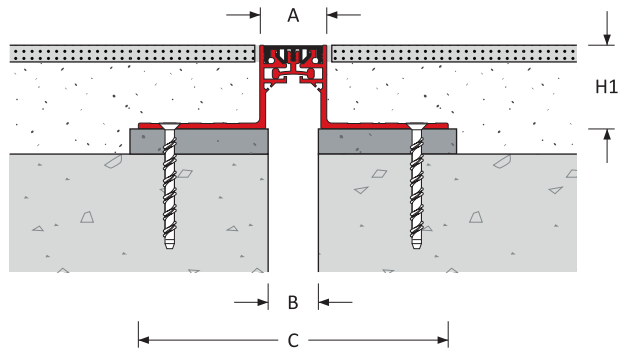
## SINGLE-SEAL EXPANSION JOINT

Floor to Floor | Floor to Wall

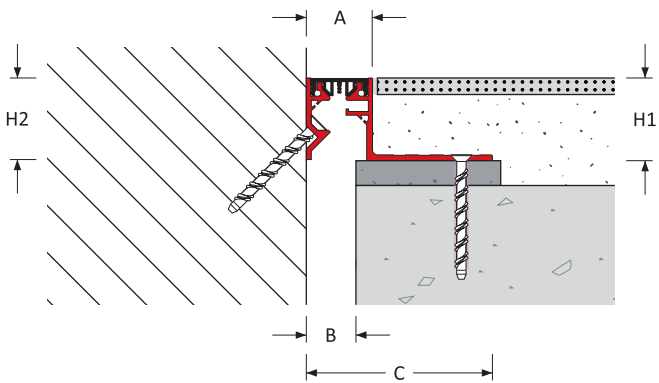
30 - 75 mm ( 1 1/4 - 3" ) Expansion Gaps

# MaxAtec 100 : A01-A02

MaxAtec 100 : A01



MaxAtec 100 : A02



### Expansion Joint Selection Criteria

### Load Rating

### Product Details

Joint Location	Gap Width B (mm)	Movement Capacity (mm)		Eurocode Rating				Product Dimensions				Product Number
		±	[Total]					Height		Sightline	Blockout	
								H1 (mm)	H2 (mm)	A (mm)	C (mm)	
Floor - Floor	30	± 5	[10]	5 kN	46 kN	-	-	25: 35: 50: 70	-	40	185	100-A01-030-(H1)
	50	± 10	[20]	2 kN	31 kN	-	-			71	216	100-A01-050-(H1)
	75	± 15	[30]							93	238	100-A01-075-(H1)
Floor - Wall	30	± 5	[10]	5 kN	46 kN	-	-	25: 35: 50: 70	50	40	113	100-A02-030-(H1)
	50	± 10	[20]	2 kN	31 kN				71	144	100-A02-050-(H1)	
	75	± 15	[30]						93	166	100-A02-075-(H1)	

When specifying or ordering please add the **height (H1)** required to the Product Reference.  
For example MaxAtec 100 : A01-030-050 denotes a joint 50mm high.

## MaxAtec 100 : A01-A02

### Features

#### Surface

Smooth surface

Centre supported and Americans with Disabilities Act (ADA) compliant across the entire movement cycle

#### Movement

Good movement capacity

ASTM E-1399 Class I: Thermal

Class II: Wind

### Traffic Frequency per day

				
≤ 25,000	≤ 10	≤ 10	-	-

### System Options

Gap width(s)	30, 50, 75 mm
Height(s)	25, 35, 50, 70 mm
Metal type(s)	6063 T5 & T6 Aluminium
Seal colour(s)	Black (RAL 7021) Grey (RAL 7038) Beige (RAL 1015)
Fire barrier	120 minutes
Waterproofing	Moisture barrier
Pre-assembly in factory	Contact Vexcolt



### APPLICATIONS

Airport Terminals | Educational | Exhibition Centres  
 Department Stores | Distribution & Retail Warehouses  
 Factories | Hospitals | Museums | Offices & Hotels  
 Parking | Places of Worship | Residential Buildings  
 Rail, Metros & Elevated Rail Stations | Roads & Bridges  
 Shopping Centres | Sports Stadiums | Supermarkets