

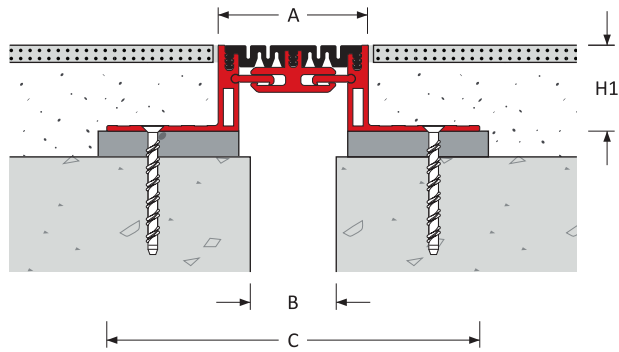
SINGLE-SEAL EXPANSION JOINT

Floor to Floor | Floor to Wall

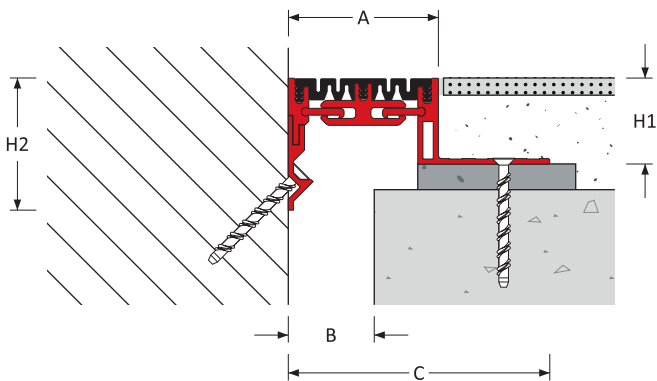
25 - 100 mm (1 - 4") Expansion Gaps

MaxAtec 140 : A01-A02

MaxAtec 140 : A01



MaxAtec 140 : A02



Expansion Joint Selection Criteria

Load Rating

Product Details

Joint Location	Gap Width B (mm)	Movement Capacity (mm)		Eurocode Rating				Product Dimensions Height		Sightline A (mm)	Blockout C (mm)	Product Number
		±	[Total]					H1 (mm)	H2 (mm)			
Floor - Floor	25	± 6	[12]	5 kN	46 kN	30 kN	-	25: 35: 50	-	70	200	140-A01-025-(H1)
	50	± 12	[25]							87	217	140-A01-050-(H1)
	75	± 20	[40]	2 kN	31 kN	-	111			241	140-A01-075-(H1)	
	100	± 25	[50]				136			266	140-A01-100-(H1)	
Floor - Wall	25	± 6	[12]	5 kN	46 kN	30 kN	-	25: 35: 50	77	70	135	140-A02-025-(H1)
	50	± 12	[25]							87	153	140-A02-050-(H1)
	75	± 20	[40]	2 kN	31 kN	-				111	176	140-A02-075-(H1)
	100	± 25	[50]							136	201	140-A02-100-(H1)

When specifying or ordering please add the **height (H1)** required to the Product Reference.
For example MaxAtec 140 : A01-075-035 denotes a joint 35mm high.

Features

Surface

Ribbed surface for improved slip resistance
 Centre supported and Americans with Disabilities Act (ADA)
 compliant across the entire movement cycle

Movement

High movement capacity
 ASTM E-1399 Class I: Thermal
 Class II: Wind

Traffic Frequency per day

				
> 25,000	≤ 1,000	≤ 100	≤ 10,000	-

System Options

Gap width(s)	25, 50, 75, 100 mm
Height(s)	20, 25, 35, 50 mm
Metal type(s)	6063 T5 & T6 Aluminium
Seal colour(s)	Black (RAL 7021) Grey (RAL 7038) Beige (RAL 1015)
Fire barrier	120 minutes
Waterproofing	Moisture barrier
Pre-assembly in factory	Contact Vexcolt



MaxAtec 140 : A01-A02



APPLICATIONS

Airport Terminals | Educational | Exhibition Centres
 Department Stores | Distribution & Retail Warehouses
 Factories | Hospitals | Museums | Offices & Hotels
 Parking | Places of Worship | Residential Buildings
 Rail, Metros & Elevated Rail Stations | Roads & Bridges
 Shopping Centres | Sports Stadiums | Supermarkets