

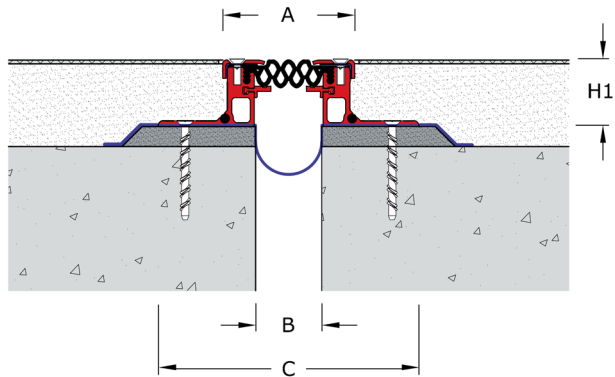
MECHANICAL EXPANSION JOINT

Floor to Floor | Floor to Wall

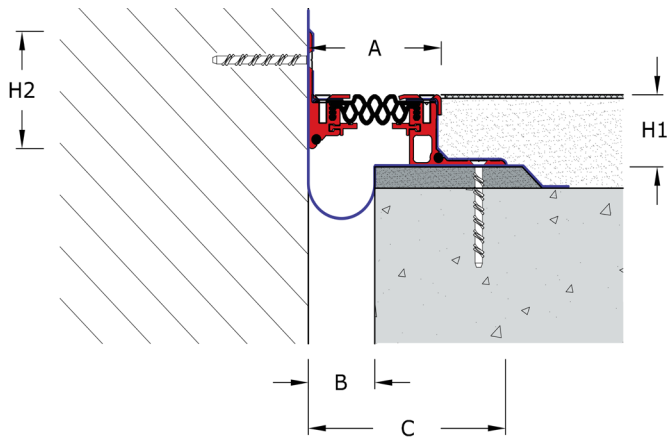
25 -100 mm (1 - 4") Expansion Gaps

TransAtec 1106 : A01-A02

TransAtec 1106 : A01



TransAtec 1106 : A02



Expansion Joint Selection Criteria

Load Rating

Product Details

Joint Location	Gap Width B (mm)	Movement Capacity (mm)		Eurocode Rating				Product Dimensions		Sightline A (mm)	Blockout C (mm)	Product Number
		±	[Total]					H1 (mm)	H2 (mm)			
Floor - Floor	25	± 10	[20]	5 kN	31 kN	30 kN	630 kN	28: 35: 50: 75: 100	-	75	173	1106-A01-025-(H1)
	50	± 20	[40]							100	198	1106-A01-050-(H1)
	75	± 30	[60]							125	223	1106-A01-075-(H1)
	100	± 40	[80]							150	248	1106-A01-100-(H1)
Floor - Wall	25	± 10	[20]	5 kN	31 kN	30 kN	630 kN	28: 35: 50: 75: 100	82	75	124	1106-A02-025-(H1)
	50	± 20	[40]							100	149	1106-A02-050-(H1)
	75	± 30	[60]							125	174	1106-A02-075-(H1)
	100	± 40	[80]							150	199	1106-A02-100-(H1)

Secondary membrane or structural waterproofing bonded to the substrate.

Aluminium capping

Optional Aquatec 1500 secondary membrane epoxy bonded to the substrate either side of the expansion gap. This membrane is looped into the expansion gap to accommodate movement.

HTB-180 High Temperature-rated Butyl membrane bonds to both the frame and underside of the stainless steel capping to create a waterproof seal at the surface of the expansion joint.

Grade 6063 T6 aluminium frame

Central seal

Features

Surface

Americans with Disabilities Act (ADA) compliant across the entire movement cycle

Central seal has a ribbed surface for improved slip resistance.

Movement

Good movement capacity

ASTM E-1399 Class I: Thermal
Class II: Wind

Traffic Frequency per day

				
> 25,000	≤ 100	≤ 100	> 25,000	≤ 10

System Options

Gap width(s)	25, 50, 75, 100 mm
Height(s)	28, 35, 50, 75, 100 mm
Metal type(s):	6063 T5 & T6 Aluminium
Seal colour(s)	Black (RAL 7021) Grey (RAL 7038)
Fire barrier	120 minutes
Waterproofing	Waterproofing membrane
Pre-assembly in factory	Contact Vexcolt

TransAtec 1106 : A01-A02



APPLICATIONS

Airport Terminals | Educational | Exhibition Centres
 Department Stores | Distribution & Retail Warehouses
 Factories | Hospitals | Museums | Offices & Hotels
 Parking | Places of Worship | Residential Buildings
 Rail, Metros & Elevated Rail Stations | Roads & Bridges
 Shopping Centres | Sports Stadiums | Supermarkets